

# ADC

American Dryer Corp.

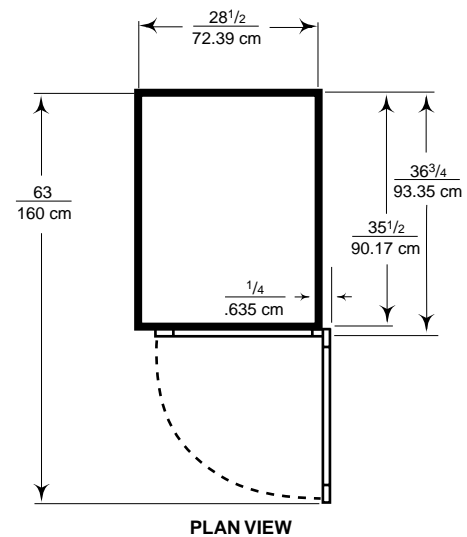


MAXIMUM CAPACITY (Dry Weight)		20 lb	9.1 kg						
BASKET DIAMETER		27 <sup>1/4</sup> "	69.22 cm						
BASKET DEPTH		24"	61 cm						
BASKET VOLUME		8.10 cu ft	0.229 cu m						
BASKET MOTOR		1/2 HP	0.373 kw						
DOOR OPENING (Diameter)		21 <sup>1/2</sup> "	54.6 cm						
AIRFLOW		400 cfm	11.3 cmm						
DRYERS PER 20'/40' CONTAINER		14/30							
DRYERS PER 48'/53' TRUCK		42/47							
GAS	VOLTAGE AVAILABLE		120-240v/1Ø/60 Hz						
	HEAT INPUT		60,000 btu/hr    15,120 kcal/hr						
	APPROX. NET WEIGHT		426 lb    193.23 kg						
	APPROX. SHIPPING WEIGHT		461 lb    209.11 kg						
	INLET PIPE CONNECTION*		1/2" F.P.T.						
ELECTRIC	OVEN SIZE								
	KW	BTU/HR (60 Hz)	KCAL/HR (50 Hz)						
	18	61,450	15,500						
	20	68,250	17,200						
	24	81,900	20,650						
	APPLIED VOLTAGE/PHASE/APPROX. AMP DRAW**								
	KW	208/1Ø		240/1Ø		208/3Ø		240/3Ø	
		60 Hz	50 Hz	60 Hz	50 Hz	60 Hz	50 Hz	60 Hz	50 Hz
	18	92.3	—	80.3	79.4	55.7	—	48.6	47.7
	20	102	—	88.6	87.7	—	—	—	—
24	—	—	—	—	72.4	—	63.0	62.1	

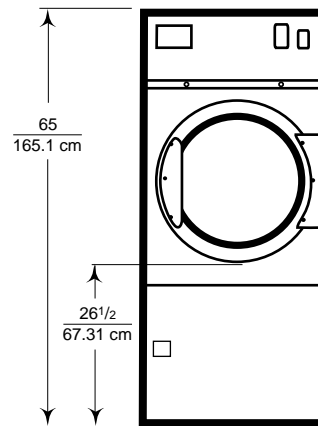
\* Size of piping to dryer varies with installation conditions. Contact factory for assistance.

\*\* Contact factory for electrical information not listed.

Shaded areas are stated in metric equivalents.  
Specifications subject to change without notice.



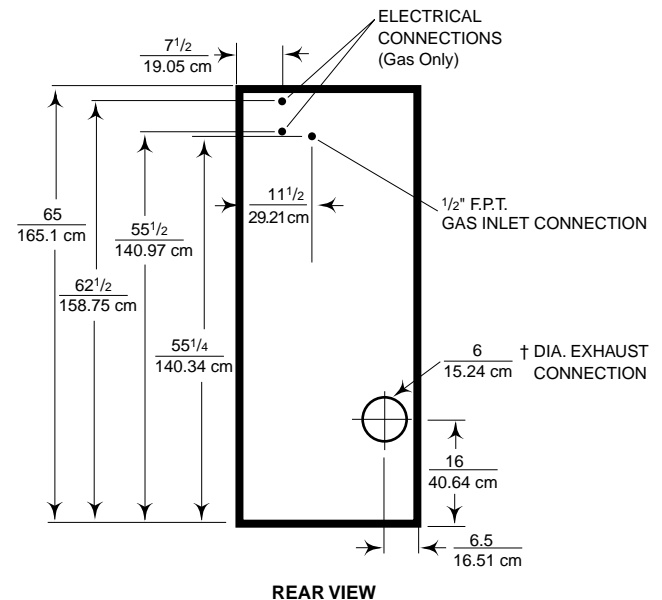
PLAN VIEW



FRONT VIEW

GAS ELECTRICAL SERVICE SPECIFICATIONS (Per Dryer) ***				
<b>IMPORTANT:</b> 208 VAC and 230/240 VAC are not the same. When ordering, specify exact voltage.				
<b>NOTES:</b> A. Circuit breakers are thermal/magnetic (industrial) motor curve type <b>ONLY</b> . For others, calculate/verify correct breaker size according to appliance amp draw rating and type of breaker to be used.				
B. Circuit breakers for 3Ø dryers must be 3-pole type.				
SERVICE VOLTAGE	PHASE	WIRE SERVICE	APPROX. AMP DRAW	CIRCUIT BREAKER AMPERAGE
120	1	2	9.6	15
208	1	2	5.8	15
240	1	2	5.3	15

\*\*\* Contact factory for electrical information not listed.



REAR VIEW

† Ductwork size varies with installation conditions.  
Exhaust static pressure should not exceed 0.3" (0.74 mb) water column.



American Dryer Corporation  
88 Currant Road, Fall River, MA 02720-4781  
(508) 678-9000 FAX (508) 678-9447  
sales@amdry.com www.amdry.com

Finance with **American Credit Corp.**, ext. 174  
amcr@amdry.com www.amdry.com/serv01.htm